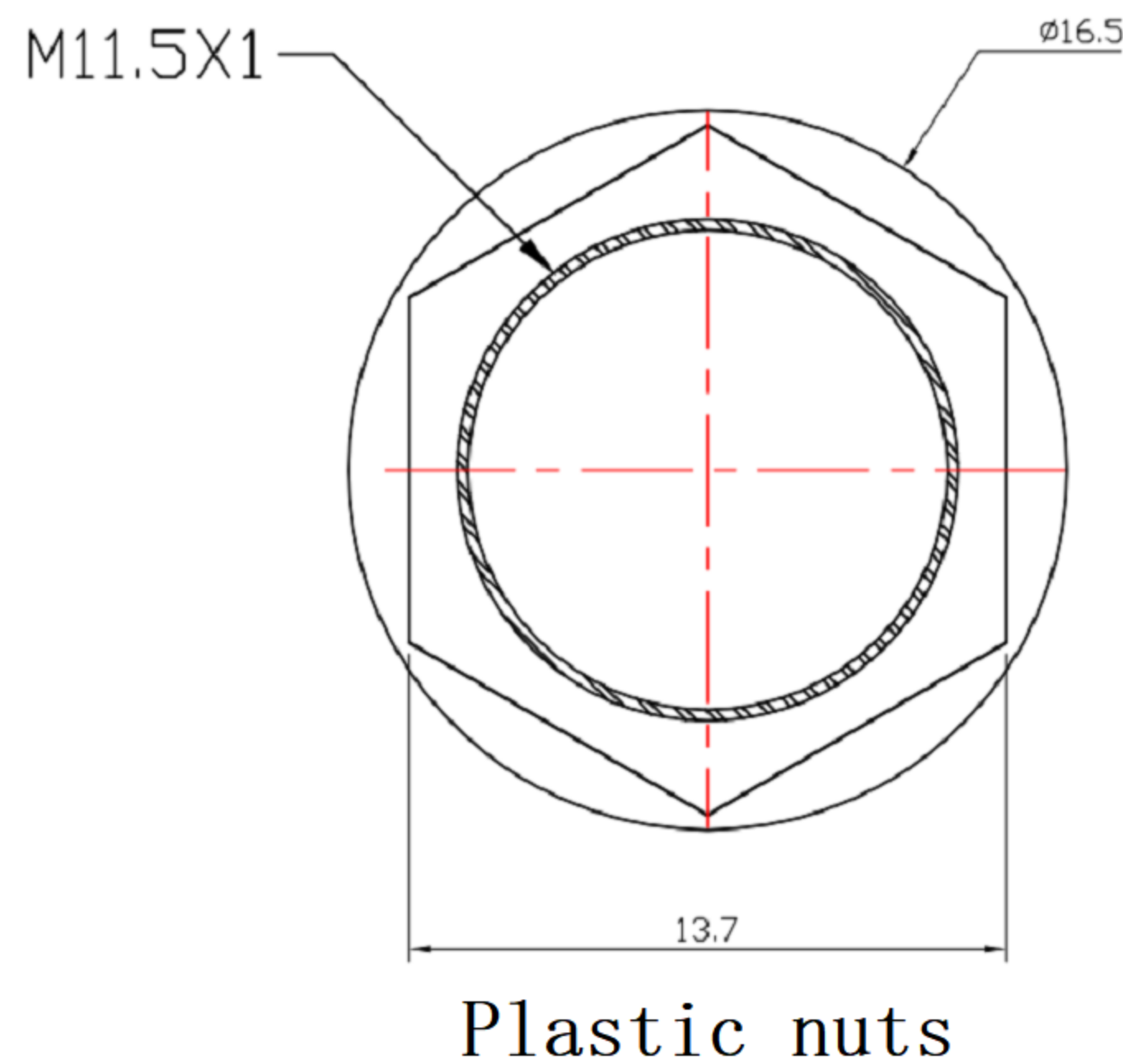
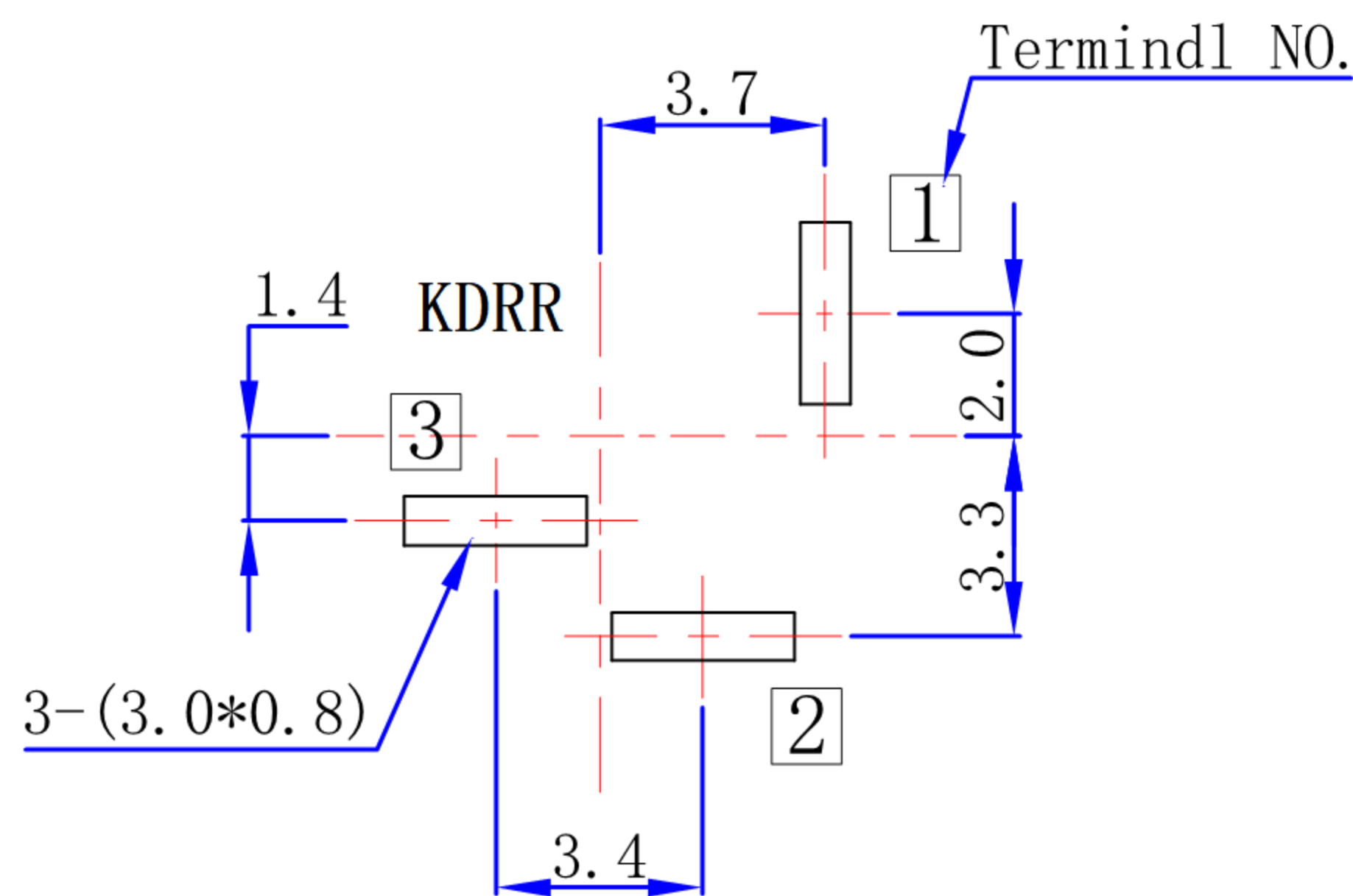


T:1.6 Dimensions of PC board holes
Tolerance : ±0.1(Printed-sided view)



| | |
|------------|---------|
| SCHEMATIC | |
| CENTER PIN | φ1.0 mm |
| | φ1.3 mm |

SPECIFICATION

- Rating : DC 12V 30V, 1.0A 3.0A
- Contact resistance : ≤30mΩ
- Insulation resistance : ≥100MΩ
- Withstand voltage : 500VAC
- Insertion and extraction force : 3-20N
- life test : 5,000 cycles

| NO. | DESCRIPTION | QTY | MATERIAL | PLATING |
|-----|--------------|-----|-----------------|------------|
| ⑥ | COVER | 1 | PF | |
| ⑤ | CONTACT FOOT | 1 | BRASS | Sn-Plating |
| ④ | PIN | 1 | BRASS | Ni-Plating |
| ③ | SPRING | 1 | PHOSPHOR BRONZE | Sn-Plating |
| ② | FLAT PIECE | 1 | BRASS | Sn-Plating |
| ① | HOUSING | 1 | PBT | |

| ITEM NO. | DESCRIPTION | DRAWN | DATE |
|----------|-------------|-------|--------|
| 4 | 更新材質 | Jack | 050420 |
| 3 | 更新尺寸 | Jack | 121119 |
| 2 | 更新尺寸標示位置 | Jack | 082719 |
| 1 | 更新尺寸 | Jack | 080519 |

东莞市高迪电子有限公司
 Dong Guan KDRR Electronic Switch Jack Co., Ltd.

TOLERANCE UNLESS OTHERWISE STATED :
 Up to 5 ±0.2
 Above 5 ~ 15 ±0.3
 Above 15 ~ 30 ±0.4
 Above 30 ~ 50 ±0.5
 Angle ±0.3°

3RD. ANGEL'S

 UNITS MM

| | | | | |
|---------------|--------|----------|---------|----------------|
| DRAWN BY: | DATE | MAT'L | TITLE | JACK |
| Ming Ming Zou | 6/8/23 | | | |
| CHECKED BY: | DATE | FINISH | MODLE | DC JACK |
| Ning Ning Su | 6/8/23 | | | |
| APPROVED BY: | DATE | SCALE | DWG NO. | GD-DC-022-M13S |
| Jia Xiang | 6/8/23 | 1:1 | | |
| SHEET NO. | 1 of 1 | PART NO. | | |

SIZE A4
VER R4